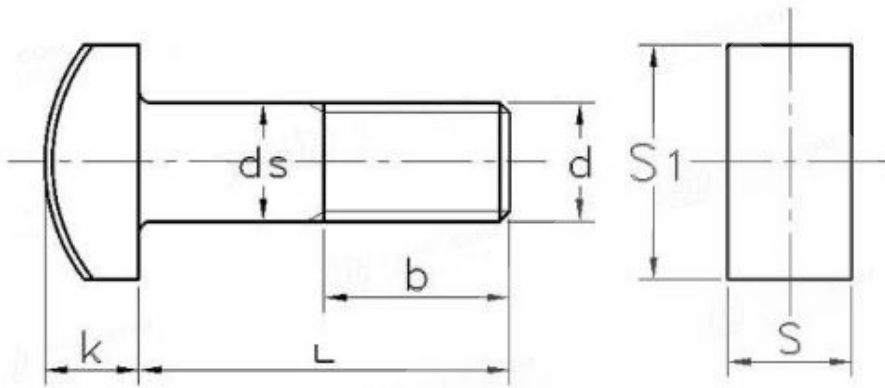


ANSI/ASME B 18.5

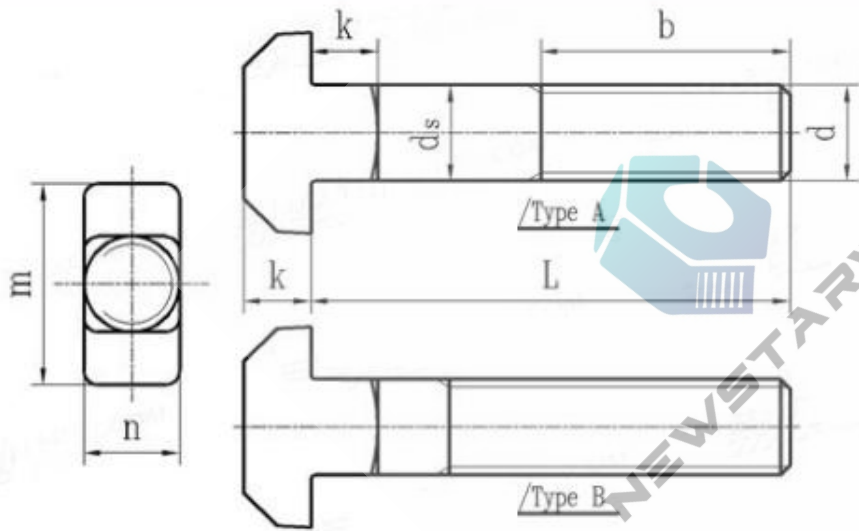


Unit: inch

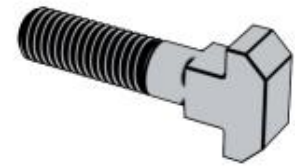


Screw Thread		1/4	5/16	3/8	7/16	1/2	5/8	3/4	7/8	1
d		0.2500	0.3125	0.3750	0.4375	0.5000	0.6250	0.7500	0.8750	1.0000
PP	UNC	20	18	16	14	13	11	10	9	8
	ds	max	0.26	0.324	0.388	0.462	0.515	0.642	0.768	0.895
	min	0.237	0.298	0.36	0.421	0.483	0.605	0.729	0.852	0.976
S1	max	0.5	0.625	0.75	0.875	1	1.25	1.5	1.75	2
	min	0.488	0.609	0.731	0.853	0.975	1.218	1.462	1.706	1.95
s	max	0.28	0.342	0.405	0.468	0.53	0.675	0.8	0.938	1.063
	min	0.245	0.307	0.368	0.431	0.492	0.616	0.741	0.865	0.99
k	max	0.204	0.267	0.331	0.394	0.458	0.585	0.649	0.776	0.903
	min	0.172	0.233	0.295	0.356	0.418	0.541	0.601	0.724	0.847

DIN 186



Unit: mm

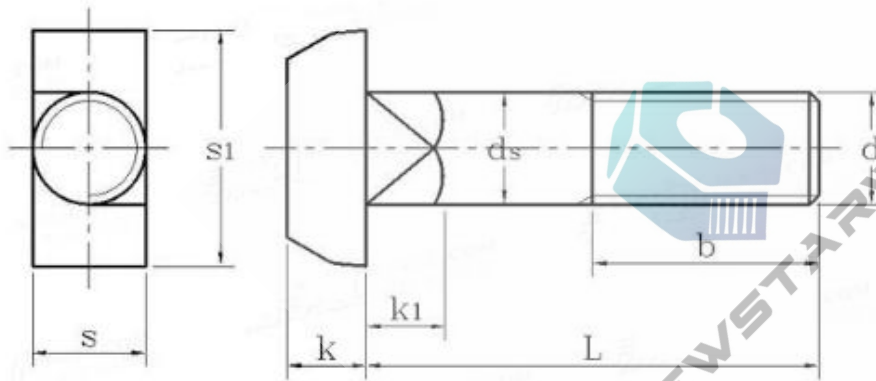


NEWSTARWDH

DIN 186

Screw Thread d		M6	M8	M10	M12	M16	M20	M24	M30	M36	M42	M48
P	Pitch	1	1.25	1.5	1.75	2	2.5	3	3.5	4	4.5	5
	L ≤ 120 (Type A)	18	22	26	30	38	46	54	66	78	/	/
b	120 < L ≤ 200 (Type A)	/	28	32	36	44	52	60	72	84	96	108
	L > 200 (Type A)	/	/	/	49	57	65	73	85	97	109	128
	Type B*	L-10	L-13	L-16	L-19	L-25	L-31	L-37	L-43	L-55	L-60	L-72
d_s	Nominal Size	6	8	10	12	16	20	24	30	36	42	48
	max	6.48	8.58	10.58	12.7	16.7	20.84	24.84	30.84	37	43	49
	min	5.52	7.42	9.42	11.3	15.3	19.16	23.16	29.16	35	41	47
k	Nominal Size	4.5	5.5	7	8	10.5	13	15	19	23	26	30
	max	4.9	5.9	7.5	8.75	11.4	13.9	15.9	20	24	27	31
	min	4.1	5.1	6.5	7.25	9.6	12.1	14.1	18	22	25	29
n	Nominal Size	6	8	10	12	16	20	24	30	36	42	48
	max	6.6	8.75	10.75	12.9	16.9	21	25	31	37.25	43.25	49.25
	min	5.4	7.25	9.25	11.1	15.1	19	23	29	34.75	40.75	46.75
m	Nominal Size	16	18	21	26	30	36	43	54	66	80	88
	max	15.1	17.1	20	25	29	34.75	41.75	52.5	64.5	78.5	86.25
	min	16.9	18.9	22	27	31	37.25	44.25	55.5	67.5	81.5	89.75
Weight of per 1000 steel products(≈kg)		-	-	-	-	-	-	-	-	-	-	-

DIN 188

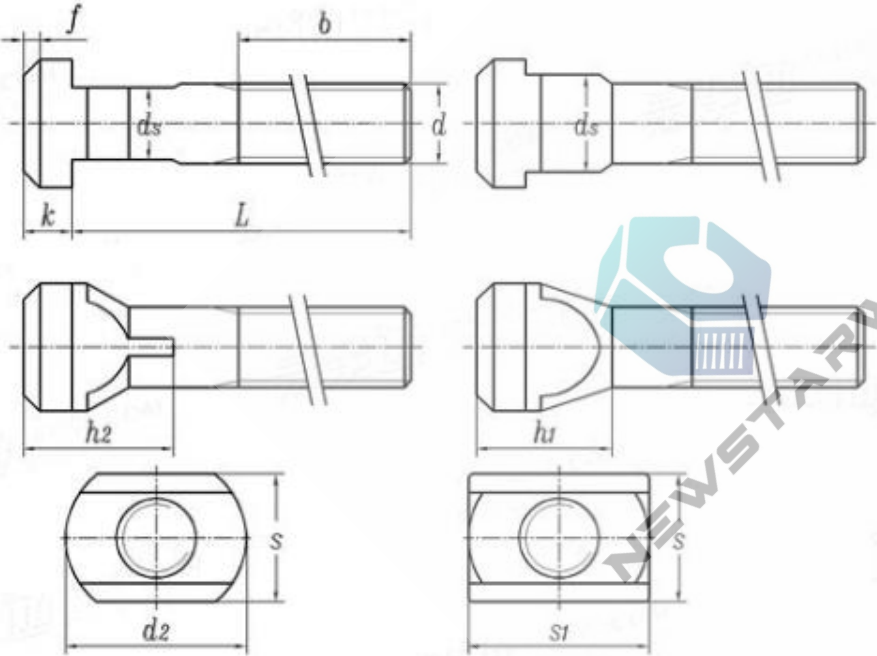


Unit: mm

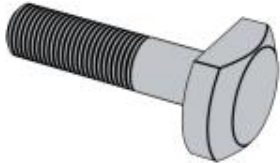


Screw Thread d		M8	M10	M12	M16	M20	M24	M30	M36	M42	M48	M56	M64	M72	M80
P	Pitch	1.25	1.5	1.75	2	2.5	3	3.5	4	4.5	5	5.5	6	6	6
b	L ≤ 120	22	26	30	38	46	54	66	78	/	/	/	/	/	/
	120 < L ≤ 200	28	32	36	44	52	60	72	84	96	108	124	130	158	172
	L > 200	/	/	49	57	65	73	85	97	109	121	137	143	169	185
d_s	max	8.58	10.58	12.7	16.7	20.84	24.84	30.84	37	43	49	57.2	65.2	73.2	81.2
	min	7.42	9.42	11.3	15.3	19.16	23.16	29.16	35	41	47	54.8	62.8	70.8	78.8
k	Nominal Size	5.5	7	8	10.5	13	15	19	23	26	30	35	40	45	50
	max	5.9	7.45	8.75	11.4	13.9	15.9	20	24	27	31	36.25	41.25	46.25	51.25
	min	5.1	6.55	7.25	9.6	12.1	14.1	18	22	25	29	33.75	38.75	43.75	48.75
k₁	max	5.9	7.45	8.75	11.4	13.9	15.9	20	24	27	31	36.25	41.25	46.25	51.25
	min	5.1	6.55	7.25	9.6	12.1	14.1	18	22	25	29	33.75	38.75	43.75	48.75
s	max	8.75	10.75	12.9	16.9	21	25	31	37.25	43.25	49.25	57.5	65.5	73.5	81.5
	min	7.25	9.25	11.1	15.1	19	23	29	34.75	40.75	46.75	54.5	62.5	70.5	78.5
s₁	Nominal Size	18	21	26	30	36	43	54	66	80	88	102	115	128	140
	min	18.9	22	27	31	37.25	44.25	55.5	67.5	81.5	89.75	103.75	116.75	130	142
	max	17.1	20	25	29	34.75	41.75	52.5	64.5	78.5	86.25	100.25	113.25	126	138

DIN 787



Unit: mm



DIN 787

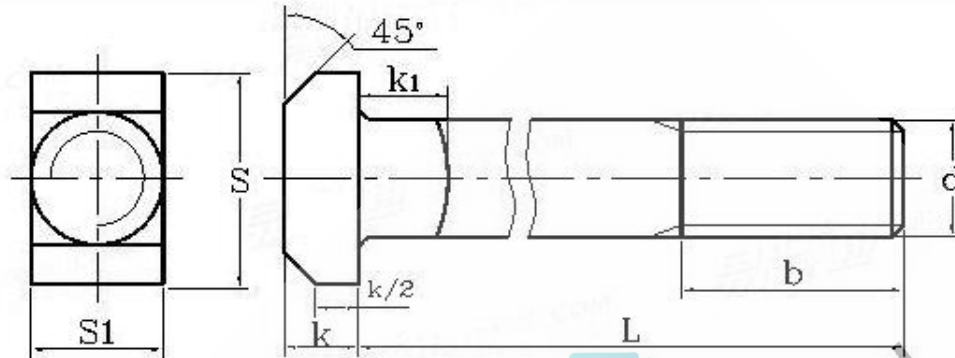
Unit: mm

Screw Thread d		M5	M5	M6	M6	M6	M8	M8	M8	M10	M10	M10	M12	M12	M12	M12
d_s	Nominal Size	5	5	6	6	6	8	8	8	10	10	10	12	12	12	12
	max	4.7	4.7	5.7	5.7	5.7	7.7	7.7	7.7	9.7	9.7	9.7	11.7	11.7	11.7	11.7
	min	4.5	4.5	5.5	5.5	5.5	7.5	7.5	7.5	9.5	9.5	9.5	11.4	11.4	11.4	11.4
L		25	40	25	40	63	32	50	80	40	63	100	50	80	125	200
b		18	30	15	28	40	22	35	50	30	45	60	35	55	75	120
d₂		10	10	12	12	12	16	16	16	20	20	20	25	25	25	25
e	max=nominal size	9	9	10	10	10	13	13	13	15	15	15	18	18	18	18
	min	8.5	8.5	9.5	9.5	9.5	12.5	12.5	12.5	14.5	14.5	14.5	17.5	17.5	17.5	17.5
f		1	1	1.6	1.6	1.6	1.6	1.6	1.6	1.6	1.6	1.6	2.5	2.5	2.5	2.5
h₁		6.5	6.5	8	8	8	12	12	12	14	14	14	16	16	16	16
h₂		10	10	13	13	13	18	18	18	21	21	21	25	25	25	25
k	max=nominal size	3	3	4	4	4	6	6	6	6	6	6	7	7	7	7
	min	2.7	2.7	3.5	3.5	3.5	5.5	5.5	5.5	5.5	5.5	5.5	6.5	6.5	6.5	6.5

Screw Thread d		M12	M12	M12	M12	M16	M16	M16	M16	M20	M20	M20	M20	M24	M24	M24
d_s	Nominal Size	14	14	14	14	18	18	18	18	22	22	22	22	28	28	28
	max	13.7	13.7	13.7	13.7	17.7	17.7	17.7	17.7	21.7	21.7	21.7	21.7	27.7	27.7	27.7
	min	13.4	13.4	13.4	13.4	17.4	17.4	17.4	17.4	21.4	21.4	21.4	21.4	27.4	27.4	27.4
L		50	80	125	200	63	100	160	250	80	125	200	315	100	160	250
b		35	55	75	120	45	63	100	150	55	85	125	190	70	110	150
d₂		28	28	28	28	36	36	36	36	45	45	45	45	56	56	56
e	max=nominal size	22	22	22	22	28	28	28	28	35	35	35	35	44	44	44
	min	21.5	21.5	21.5	21.5	27.5	27.5	27.5	27.5	34.5	34.5	34.5	34.5	43	43	43
f		2.5	2.5	2.5	2.5	2.5	2.5	2.5	2.5	2.5	2.5	2.5	2.5	4	4	4
h₁		20	20	20	20	24	24	24	24	32	32	32	32	41	41	41
h₂		-	-	-	-	-	-	-	-	-	-	-	-	-	-	-
k	max=nominal size	8	8	8	8	10	10	10	10	14	14	14	14	18	18	18
	min	7.5	7.5	7.5	7.5	9.5	9.5	9.5	9.5	13.5	13.5	13.5	13.5	17	17	17

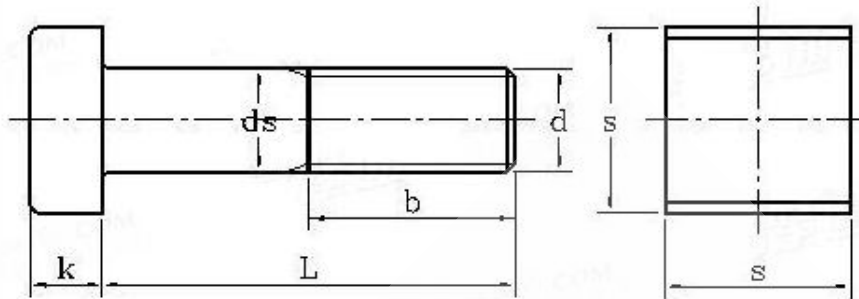
Screw Thread d		M24	M30	M30	M30	M30	M36	M36	M36	M42	M42	M42	M48	M48	M48
d_s	Nominal Size	28	36	36	36	36	42	42	42	48	48	48	54	54	54
	max	27.7	35.6	35.6	35.6	35.6	41.6	41.6	41.6	47.6	47.6	47.6	53.6	53.6	53.6
	min	27.4	35.3	35.3	35.3	35.3	41.3	41.3	41.3	47.3	47.3	47.3	53.2	53.2	53.2
L		315	125	200	315	500	160	250	400	160	250	400	200	315	500
b		240	80	135	200	300	100	175	250	100	175	250	130	220	300
d₂		56	70	70	70	70	82	82	82	95	95	95	110	110	110
e	max=nominal size	44	54	54	54	54	65	65	65	75	75	75	85	85	85
	min	43	53	53	53	53	64	64	64	74	74	74	84	84	84
f		4	6	6	6	6	6	6	6	6	6	6	6	6	6
h₁		41	50	50	50	50	60	60	60	70	70	70	80	80	80
h₂		-	-	-	-	-	-	-	-	-	-	-	-	-	-
k	max=nominal size	18	22	22	22	22	26	26	26	26	30	30	34	34	34
	min	17	21	21	21	21	25	25	25	25	29	29	33	33	33

DIN 799



Unit: mm

d	P	b	S	k	S1	k1
M24	3	100	65	18	24	18
M30	3.5	120	75	22	30	20
M36	4	140	85	25	36	25
M42	4.5	170	95	30	42	30
M48	5	200	110	35	48	30
M52	5.5	220	125	40	56	30
M64	6	240	140	50	64	30
M72	6	260	155	55	72	30
M80	6	290	170	60	80	30
M90	6	320	185	70	90	30
M100	6	350	205	75	100	30



Unit: mm

d	ds		k		s	
	max	min	max	min	max	min
M4	4	3.82	2.7	2.3	9.29	8.71
M5	5	4.82	4.24	3.76	10.29	9.71
M6	6	5.82	6.29	5.71	13.35	12.65
M8	8	7.78	6.29	5.71	15.35	14.65
M10	10	9.78	7.29	6.71	18.35	17.65
M12	12	11.73	8.29	7.71	22.42	21.58
M14	14	13.73	9.29	8.71	25.42	24.58
M16	16	15.73	10.29	9.71	28.42	27.58
M18	18	17.73	12.35	11.65	32.5	31.5
M20	20	19.67	14.35	13.65	34.5	33.5
M22	22	21.67	16.35	15.65	40.5	39.5
M24	24	23.67	18.35	17.65	43.5	42.5
M27	27	26.67	20.42	19.58	50.5	49.5
M30	30	29.67	23.42	22.58	53.6	52.4
M36	36	35.61	28.42	27.58	64.6	63.4
M42	42	41.61	32.5	31.5	75.6	74.4
M48	48	47.61	36.5	35.5	85.7	84.3